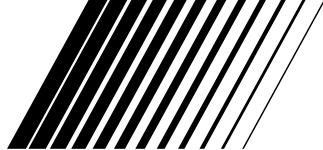


# JVC



English

Français

**SPEAKER SYSTEM**  
**ENCEINTE ACOUSTIQUE**

## SX-WD5



## **INSTRUCTIONS**

**MANUEL D'INSTRUCTIONS**

**For Customer Use:**

Enter below the Model No. and Serial No. which are located either on the rear, bottom or side of the cabinet. Retain this information for future reference.

Model No. \_\_\_\_\_

Serial No. \_\_\_\_\_

LVT1236-004A

[J]

# Warnings, Cautions and Others

## ■ Precautions for installation

- Do not install the speakers on an uneven surface or in a place subject to vibration; otherwise, they may fall over, causing damage or injury.
  - Take the occurrence of earthquakes or other physical shocks into consideration when selecting the installation place, and secure the speakers thoroughly.
- To prevent deformation or discoloration of the cabinet, do not install the speakers where they are exposed to direct sunlight or high humidity, and avoid installation near air conditioning outlets.
- Speaker vibrations may cause howling. Place the speakers as far away from the player as possible.
- The speakers are magnetically shielded to avoid color distortions on TVs. However, if not installed properly, it may cause color distortions. So, pay attention to the following when installing the speakers.
  - When placing the speakers near a TV set, turn off the TV's main power switch or unplug it before installing the speakers.  
Then wait at least 30 minutes before turning on the TV's main power switch again. Some TVs may still be affected even though you have followed the above. If this happens, move the speakers further away from the TV.
- Tuner reception may become noisy or hissing if a speaker is installed near the tuner. In this case, leave more distance between the tuner and the speakers or use an outdoor antenna for better tuner reception without interference from the speakers.

## ■ Precautions for daily use

- **To maintain the appearance of the speakers**
  - Wipe with a dry, soft cloth if the cabinet should become dirty.  
If very dirty, wipe with a cloth applied a small amount of water or neutral detergent, then wipe with a dry cloth.
  - Do not use chemicals such as benzine and thinner for cleaning the cabinet; otherwise, the speakers may deteriorate or its paint may come off.
- **To improve the sound field**
  - It is recommended to leave a space of more than 50 cm between the speakers and the wall.
  - If the speakers are facing a solid wall or glass door, etc., it is recommended to furnish the wall with materials that absorb sounds, for example by hanging up thick curtains, to prevent reflections and standing waves.
- **To use the speakers without any trouble**
  - Do not reproduce sounds at so high a volume that they are distorted; otherwise, the speakers may be damaged by internal heat buildup.
  - When moving the speakers, do not pull the speaker cords; otherwise, the speakers may fall over, causing damage or injury.

# Connection

## ■ Precautions

### Before connecting:

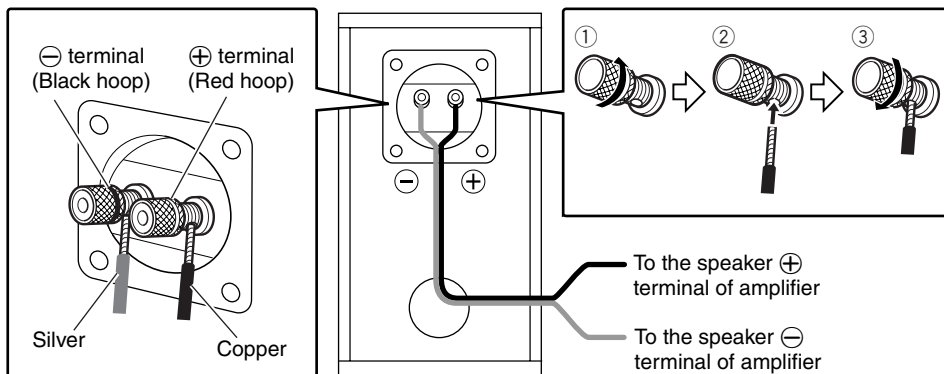
- Make sure to match the polarity ( $\oplus$  and  $\ominus$ ) when connecting the speaker cords.
- Turn off the power to the amplifier before connecting the speaker system; otherwise, the speakers may be damaged.
- The impedance of the speaker is  $6 \Omega$ .  
If this does not match with the speaker impedance range indicated on the amplifier, you cannot connect this system to the amplifier.
- The maximum power handling capacity of the SX-WD5 is 100 W. Excessive input will result in abnormal noise and possible damage.

### Daily operations and maintenance:

- Be sure to turn down the volume level on the amplifier to prevent unwanted noise before performing following operations:
  - Turning on or off other components
  - Operating the amplifier
  - Tuning FM stations
  - Fast-forwarding a tape
  - Continuously reproducing high frequency oscillation or high pitch electronic sounds
  - Connecting or disconnecting a microphone
- When using a microphone, do not aim it at the speakers or use it near the speakers; otherwise, the howling which occurs may damage the speakers.
- Before replacing the cartridge, always turn off the power both to the amplifier and to the turntable; otherwise, the clicking noise may damage the speakers.

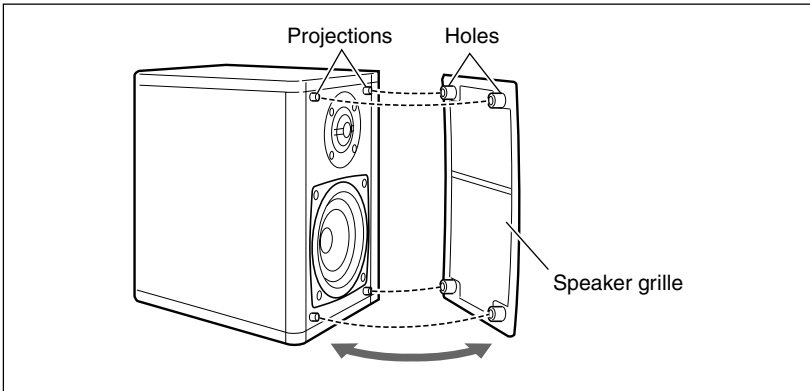
## ■ Connecting the speaker system to the amplifier

- Twist and remove the insulation at the end of each speaker cord before connecting.



## About Speaker Grille

The speaker grille is removable as illustrated below:



**To remove the speaker grille**, insert your fingers at the top of the speaker grille, then pull towards you. Repeat the procedure at the bottom of the speaker grille.

**To attach the speaker grille**, put the projections of the speaker into the holes of the speaker grille.

- Do not push the speaker grille strongly.

## Specifications

|                                 |  |
|---------------------------------|--|
| <b>Type:</b>                    | 2-way bass-reflex type<br>Magnetically-shielded type   |
| <b>Speakers</b>                 |  |
| Mid and low range:              | 10.5 cm (4 <sup>3</sup> / <sub>16</sub> in.) wooden cone   |
| Tweeter:                        | 2.0 cm ( <sup>13</sup> / <sub>16</sub> in.) wooden dome  |
| <b>Power handling capacity:</b> | 100 W  |
| <b>Impedance:</b>               | 6 Ω  |
| <b>Crossover frequency:</b>     | 3 500 Hz   |
| <b>Frequency range:</b>         | 55 Hz to 50 000 Hz   |
| <b>Sound pressure level:</b>    | 82 dB/W•m  |
| <b>Dimensions (W x H x D):</b>  | 143 mm x 257 mm x 243 mm<br>(5 <sup>11</sup> / <sub>16</sub> in. x 10 <sup>1</sup> / <sub>8</sub> in. x 9 <sup>5</sup> / <sub>8</sub> in.) |
| <b>Mass:</b>                    | 3.5 kg (7.81 lbs)  |
| <b>Supplied accessory:</b>      | Speaker cord (3 m) (1)   |

*Design and specifications subject to change without notice.*



# ***TO OUR VALUED CUSTOMER*** \_\_\_\_\_

THANK YOU FOR PURCHASING THIS JVC PRODUCT.  
WE WANT TO HELP YOU ACHIEVE A PERFECT EXPERIENCE.

**NEED HELP ON HOW TO HOOK UP?  
NEED ASSISTANCE ON HOW TO OPERATE?  
NEED TO LOCATE A JVC SERVICE CENTER?  
LIKE TO PURCHASE ACCESSORIES?**

**JVC<sup>®</sup> IS HERE TO HELP!**  
**TOLL FREE: 1(800)252-5722**  
**<http://www.jvc.com>**

Remember to retain your Bill of Sale for Warranty Service.

\_\_\_\_\_ **Do not attempt to service the product yourself** \_\_\_\_\_

### **Caution**

To prevent electrical shock, do not open the cabinet.  
There are no user serviceable parts inside.  
Please refer to qualified service personnel for repairs.

---

SX-WD5

SPEAKER SYSTEM

**JVC**



EN, FR

© 2005 Victor Company of Japan, Limited

0405NSMMAMHCE